

PF120S-3-10

1PH COMMERCIAL/INDUSTRIAL FILTER
SINGLE STAGE / CHASSIS MOUNT

SPECIFICATIONS

MAX VOLTAGE: 0-300VAC

MAX CURRENT: 3A/LINE

USABLE FREQUENCY: 50/60/400HZ

OPERATING TEMP.: -40 TO 50C

LEAKAGE CURRENT (250V/60HZ): <1mA

TYP. WEIGHT, LB(KG): 0.45(0.2)

CLIMATIC CLASS: 25/100/21

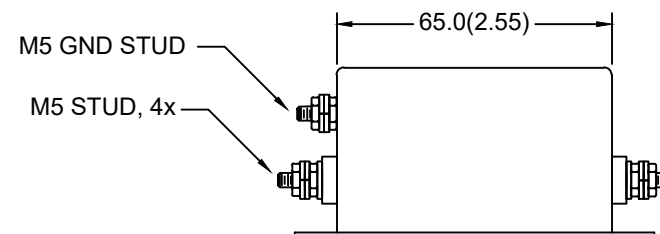
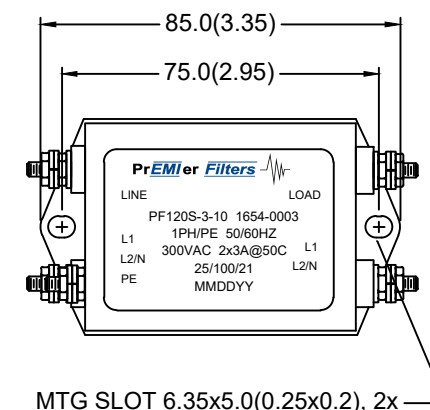
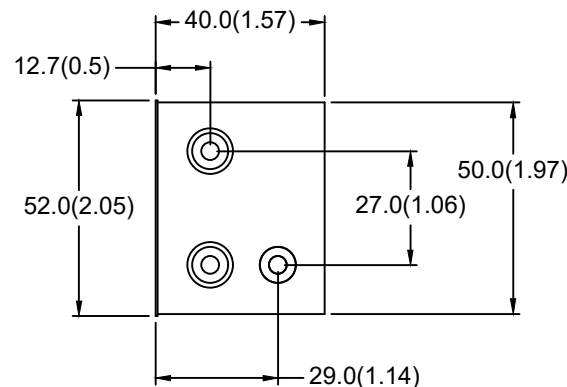
DESIGNED AND MANUFACTURED IN ACCORDANCE

WITH THE FOLLOWING STANDARDS:

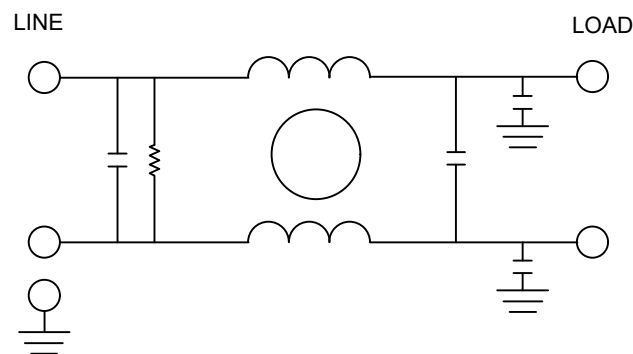
EN60939-3

CSA22.2 NO. 8

LV DIRECTIVE



SCHEMATIC



TYPICAL INSERTION LOSS, 50/50 OHM

| FREQ(HZ) | 150K | 500K | 1M | 10M | 30M |
|----------|------|------|----|-----|-----|
| CM, dB | 44 | 48 | 56 | 50 | 42 |
| DM, dB | 28 | 37 | 52 | 60 | 62 |