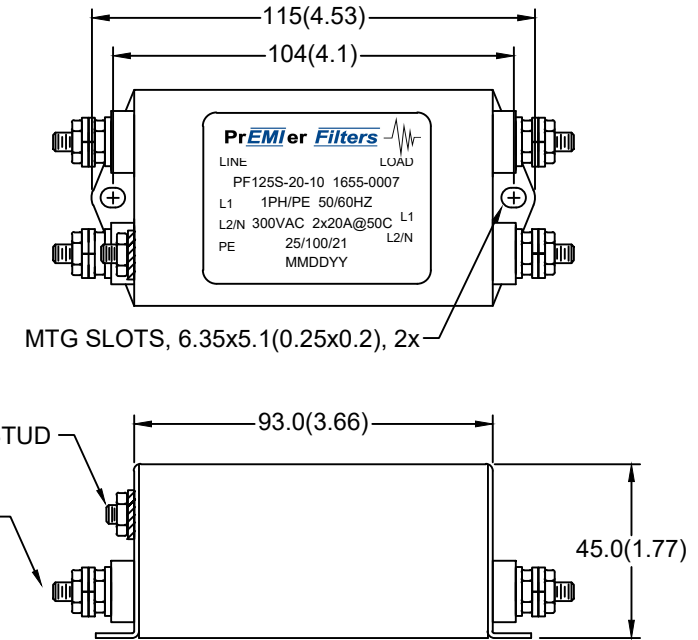
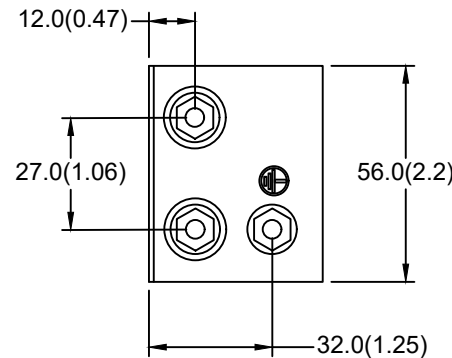


PF125S-20-10

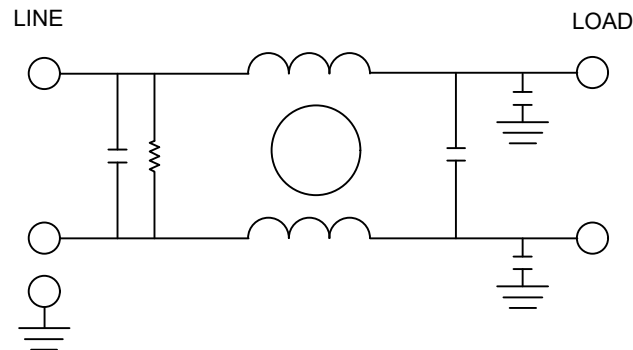
1PH COMMERCIAL/INDUSTRIAL FILTER  
SINGLE STAGE / CHASSIS MOUNT

## SPECIFICATIONS

- MAX VOLTAGE: 0-300VAC
- MAX CURRENT: 20A/LINE
- USABLE FREQUENCY: 50/60/400HZ
- OPERATING TEMP.: -40 TO 50C
- LEAKAGE CURRENT (250V/60HZ): <1mA
- TYP. WEIGHT, LB(KG): 0.8(0.36)
- CLIMATIC CLASS: 25/100/21
- DESIGNED AND MANUFACTURED IN ACCORDANCE WITH THE FOLLOWING STANDARDS:
  - EN60939-3
  - CSA22.2 NO. 8
  - LV DIRECTIVE



## SCHEMATIC



TYPICAL INSERTION LOSS, 50/50 OHM					
FREQ(HZ)	150K	500K	1M	10M	30M
CM, dB	48	62	65	52	50
DM, dB	46	56	60	60	60